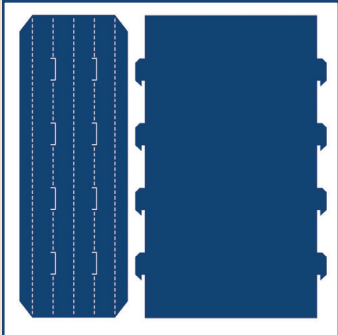


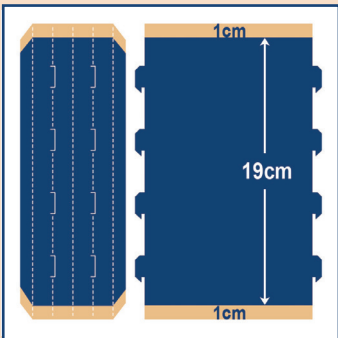
HOW TO CUT THE PANORAMA DIES TO MAKE...

 = Area to be cut away

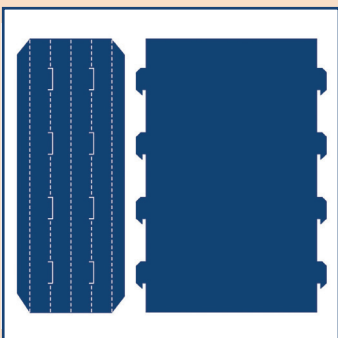
19CM CARD



1. Start by cutting the Large Concertina Side and the Large Inner Plate from your chosen cardstock. To create a 19cm Panorama card you will need 2 die cuts of the Large Concertina Side and either one or two Large Inner Plates depending on your requirements.

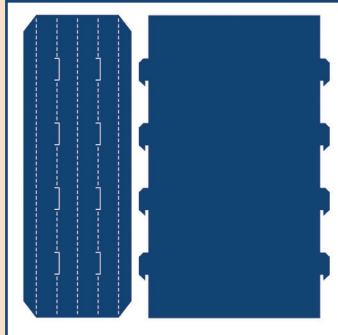


2. Trim 1cm from the top and bottom of all your die cuts so they are 19cm tall. This is so the slots on the Large Concertina Side and hooks on the Large Inner Plates which hold your Panorama card together are central. You will need to trim the flaps down on the Large Concertina Sides diagonally by around 1cm shown on the illustration above.

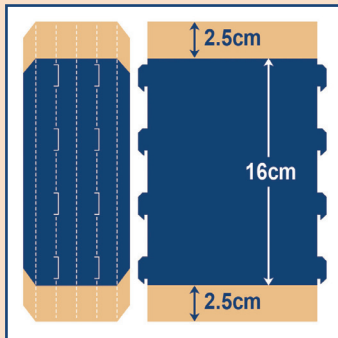


3. Now you can create a 19cm Panorama card.

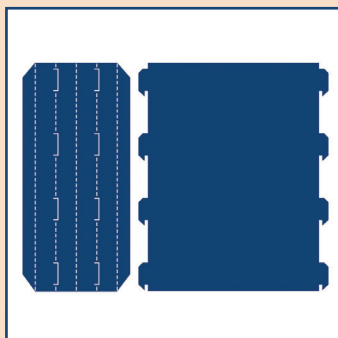
16CM CARD



1. Start by cutting the Large Concertina Side and the Large Inner Plate from your chosen cardstock. To create a 16cm Panorama card you will need 2 die cuts of the Large Concertina Side and either one or two Large Inner Plates depending on your requirements.

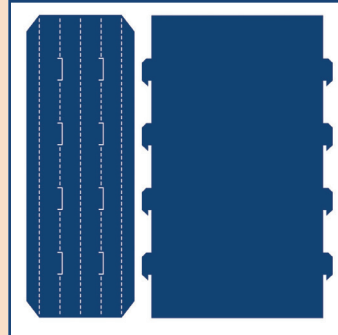


2. Trim 2.5cm from the top and bottom of all your die cuts so they are 16cm tall. This is so the slots on the Large Concertina Side and hooks on the Large Inner Plates which hold your Panorama card together are central. You will need to trim the flaps down on the Large Concertina Sides diagonally by around 1cm shown on the illustration above.

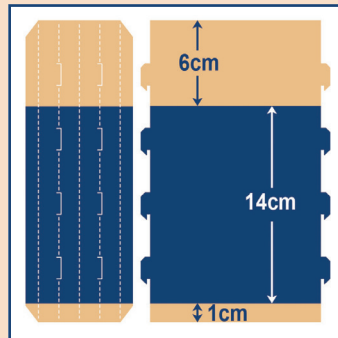


3. Now you can create a 16cm Panorama card.

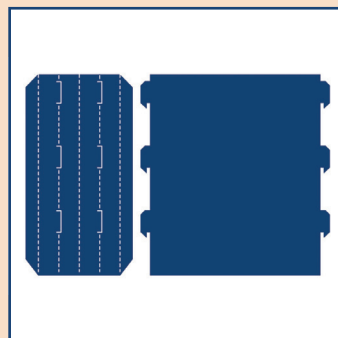
14CM CARD



1. Start by cutting the Large Concertina Side and the Large Inner Plate from your chosen cardstock. To create a 14cm Panorama card you will need 2 die cuts of the Large Concertina Side and either one or two Large Inner Plates depending on your requirements.

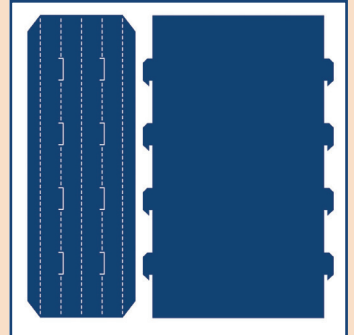


2. Trim 6cm from the top of all your die cuts and 1cm from the bottom so they are 14cm tall. This is so the slots on the Large Concertina Side and hooks on the Large Inner Plates which hold your Panorama card together are central. You will need to trim the flaps down on the Large Concertina Sides diagonally by around 1cm shown on the illustration above.

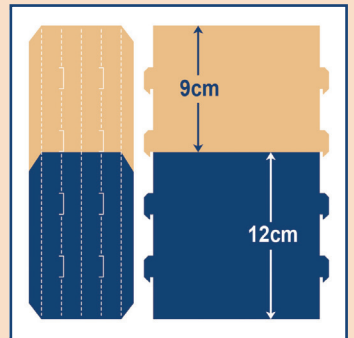


3. Now you can create a 14cm Panorama card.

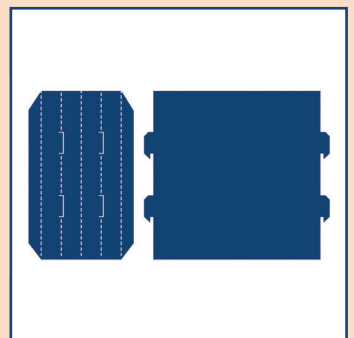
12CM CARD



1. Start by cutting the Large Concertina Side and the Large Inner Plate from your chosen cardstock. To create a 12cm Panorama card you will need 2 die cuts of the Large Concertina Side and either one or two Large Inner Plates depending on your requirements.



2. Trim 9cm from the top of all your die cuts so they are 12cm tall. This is so the slots on the Large Concertina Side and hooks on the Large Inner Plates which hold your Panorama card together are central. You will need to trim the flaps down on the Large Concertina Sides diagonally by around 1cm shown on the illustration above.



3. Now you can create a 12cm Panorama card.